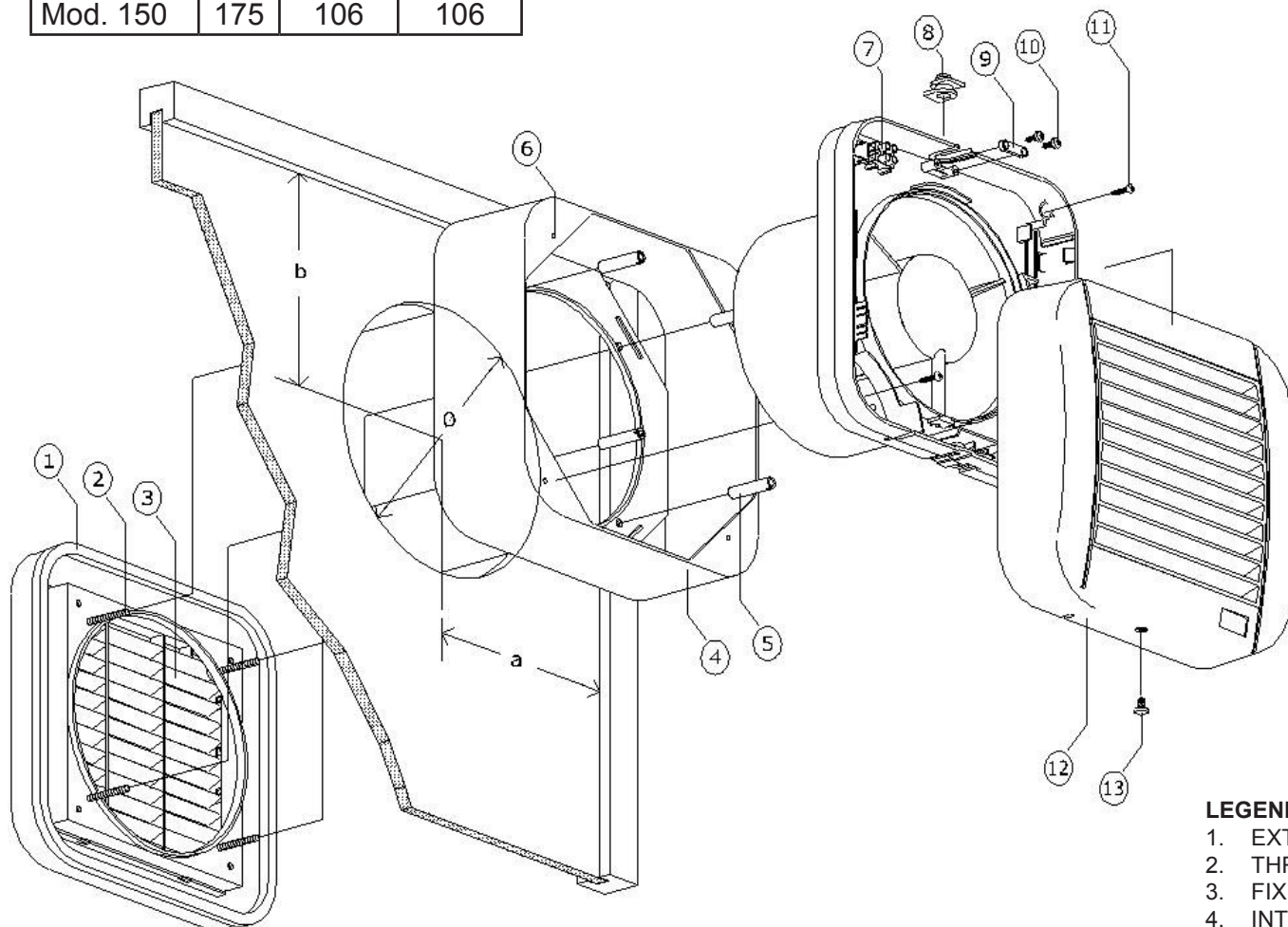


WINDOWS KIT FOR ECOLINE SERIES

00499.03

| | Ø | a (min) | b (min) |
|----------|-----|---------|---------|
| Mod. 100 | 150 | 82 | 82 |
| Mod. 120 | 175 | 92 | 92 |
| Mod. 150 | 175 | 106 | 106 |



INSTALLATION

1. Make a hole in the glass, keeping the minimum distances reported in the table.
2. Fix the external frame (1) to the intermediate body (4), by means of the four bushes (5) supplied as standard, fixing them to the threaded screws (2).

ATTENTION:

DO NOT TIGHTEN THE BUSHES THOROUGHLY. THIS COULD CAUSE EITHER A DEFORMATION OF THE INTERMEDIATE BODY OR A BREAKING OF THE GLASS.

3. Install the fan, fixing it to the intermediate body by means of the screws (6).

LEGEND

1. EXTERNAL FRAME
2. THREADED SCREWS
3. FIXED GRID / GRAVITY FINS
4. INTERMEDIATE BODY
5. BRASS BUSHES
6. APPLIANCE FIXING HOLES